

# NTC 650 SERIES TEMPERATURE CONTROLLER WITH LCD

TEMPERATURE CONTROLLER PROGRAMMABLE MODULATING

## NTC 650 SERIES

NTC 650 series feature a 3-wire floating (incremental) or a 0-10 VDC control output and come with an Liquid Crystal Display. The controllers are designed for use in 2-pipe or 4 Pipe air handling units, and a variety of heating and cooling applications controlled by water valves and damper actuator.



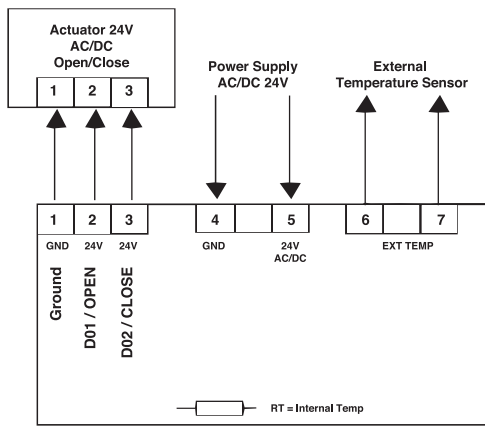
## PRODUCT FEATURE

- Aesthetic Design with LCD
- 3 Point floating or Modulating
- 0 - 10Vdc for Modulating
- Internal NTC thermistor Sensor
- Can be use with External Duct Sensor and NTS Series (Optional)
- User Programmable
- Low and High Set Point Limitation
- Celsius or Fahrenheit Selectable

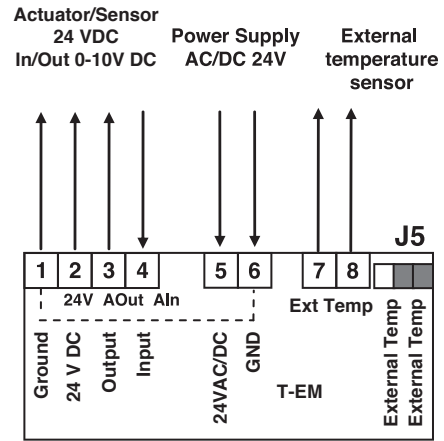
## TECHNICAL SPECIFICATION

MODEL NUMBER	NTC 651	3 Point Floating Control Single Output, Cooling Only or Heating Only, 2-pipe System
	NTC 652	0 - 10Vdc Modulating Control Single Output, Cooling Only or Heating Only, 2-pipe System
POWER SUPPLY	AC 24V	
SET POINT TEMPERATURE RANGE	10 to 35°C	
ADJUSTABLE PROPORTIONAL BAND	0 - 4K	
SENSOR ELEMENT	NTC Thermistor 10K $\Omega$ at 25°C	
BODY MATERIAL	Self-extinguishing, Molded ABS	
FINISH	Off White Color	
IP PROTECTION	IP30	
AMBIENT TEMPERATURE	-20°....50° as per IEC721-3-3	
AMBIENT HUMIDITY	5....95% rH (non Condensing)	
INVENTORY TEMPERATURE	+70°C as per IEC 721-3-2	
CERTIFICATION	CE and ISO 9000 (EN...requirements)	

## WIRING DIAGRAM

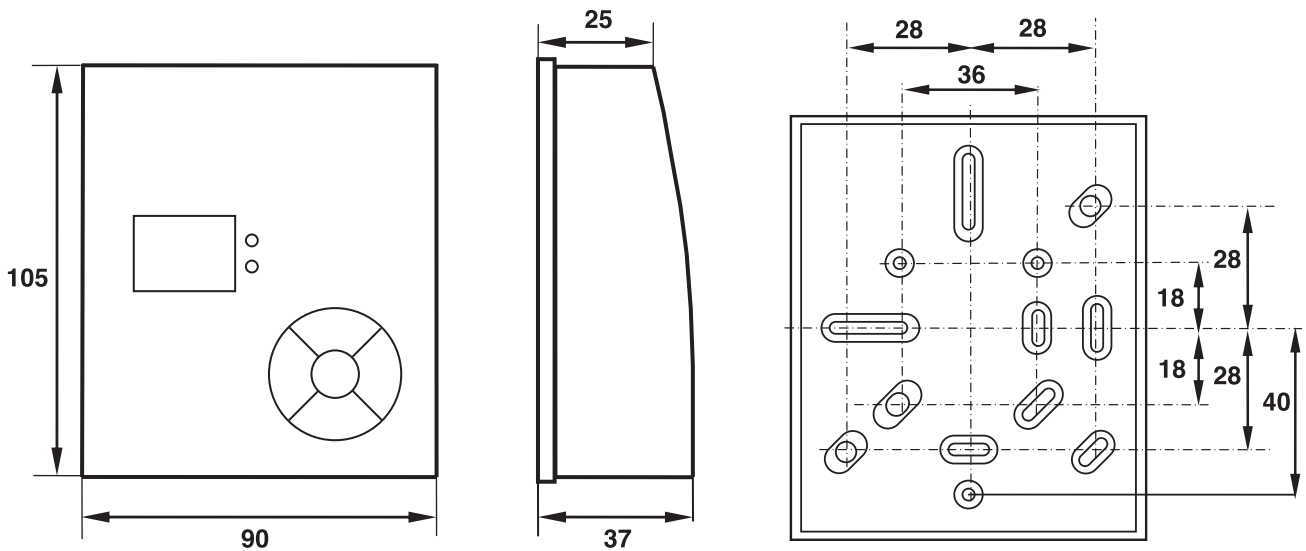


NTC 651 - 3 Point Floating / Proportional Controls



NTC 652 - 0 - 10Vdc Proportional Controls

## DIMENSION (mm)



## APPLICATION OVERVIEW

The NTC 650 Programmable Temperature Controller feature both 3 Point Floating Controls and 0 - 10Vdc Modulating. The Temperature Controller can be ordered with NENUTEC Valve Actuator NVC/ NAV... and NTS external Duct Sensor for a complete HVAC solution.