

# NFS 60 WATER FLOW SWITCH

## SENSORS & OTHERS



### NFS 60

NFS 60 Flow Switch is designed for use prove flow of water by giving an alarm or use to control the condenser pump in the HVAC system.

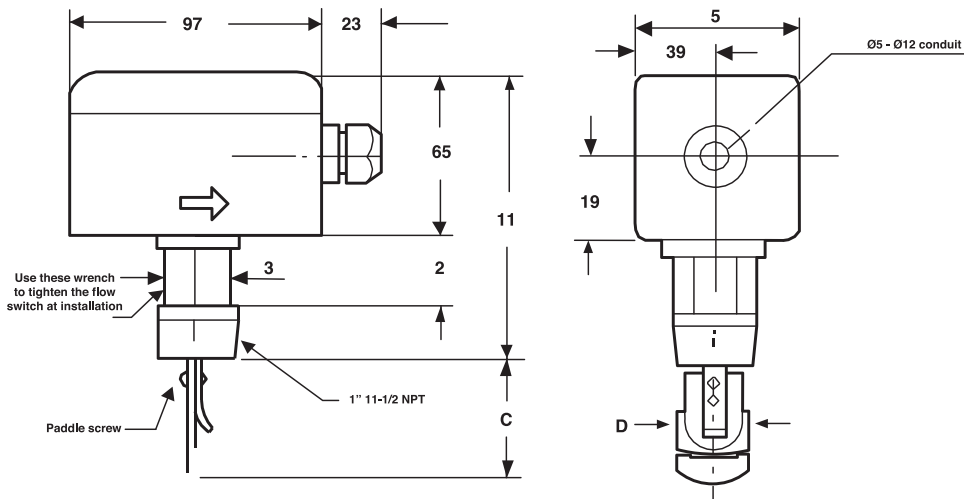
### PRODUCT FEATURE

- 1" to 6" pipe size
- 3 pieces paddle included
- SPDT contact for NC or NO operation

### TECHNICAL SPECIFICATION

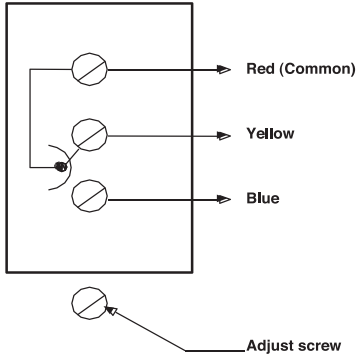
CONTRACT RATING	AC 230V 10A
MEDIUM TEMPERATURE RANGE	0 to 120°C
CONNECTION	1" (11-1/2)NPT
MAX PRESSURE ALLOWABLE	12 Bar
IP PROTECTION	IP65
AMBIENT TEMPERATURE	-20°...50° as per IEC721-3-3
AMBIENT HUMIDITY	5...95% rH (non Condensing)
INVENTORY TEMPERATURE	+70°C as per IEC 721-3-2
CERTIFICATION	CE and ISO 9000 (EN...requirements)
SHIPPING WEIGHT	700g

### DIMENSION



PIPE SIZE	C	D
25	37	25
51	64	29
76	89	29
101	168	29
152	168	29

## CONTRACT RATING



RATED VOLTAGE V		POWER COS Ø	125V AC	250V AC
RATED CURRENT A				
NO INDUCED LOAD CURRENT		1	15	15
INDUCED LOAD	FULL LOAD CURRENT	0.75	3.5	2.5
CURRENT	INSTANTANEOUS CURRENT	0.45	21	15

## MINIMUM FLOWRATE

PIPE SIZE (in.)		GPM (M3/HR) REQUIRED TO ACTUATE SWITCH									
		1	1-1/4	1-1/2	2	2-1/2	3	4*	5*	6*	8*
Minimum Adjustment	Flow increasing Red → Yellow Closed**	4.2 (1.0)	5.8 (1.3)	7.5 (1.7)	13.7 (3.1)	18.0 (4.1)	27.5 (6.2)	65.0 (14.8) 37.0+ (8.4)	125.0 (28.4) 57.0+ (12.9)	190.0 (43.1) 74.0+ (16.8)	375.0 (85.2) 205.0+ (46.6)
	Flow decreasing Red → Blue Closed**	2.5 (0.6)	3.7 (0.8)	5.0 (1.1)	9.5 (2.2)	12.5 (2.8)	19.0 (4.3)	50.0 (11.4) 27.0+ (6.1)	101.0 (22.9) 41.0+ (9.3)	158.0 (35.9) 54.0+ (12.3)	320.0 (72.7) 170.0+ (38.6)
Maximum Adjustment	Flow decreasing Red → Yellow Closed**	8.8 (2.0)	13.3 (3.0)	19.2 (4.4)	29.0 (6.6)	34.5 (7.8)	53.0 (12.0)	128.0 (29.1) 81.0+ (18.4)	245.0 (55.6) 118.0+ (26.8)	375.0 (85.2) 144.0+ (32.7)	760.0 (172.6) 415.0+ (94.2)
	Flow decreasing Red → Blue Closed**	8.5 (1.9)	12.5 (2.8)	18.0 (4.1)	27.0 (6.1)	32.0 (7.3)	50.0 (11.4)	122.0 (27.7) 76.0+ (17.3)	235.0 (53.4) 111.0+ (25.2)	360.0 (81.8) 135.0+ (30.7)	730.0 (165.8) 400.0+ (90.8)