

NVCF SERIES FLANGED END GLOBE VALVE

VALVE & VALVE ACTUATOR



NVCF SERIES

NVCF control valve flanged end is mainly use in the HVAC system to regulate the flow of water and steam in response to the demand of a controller.

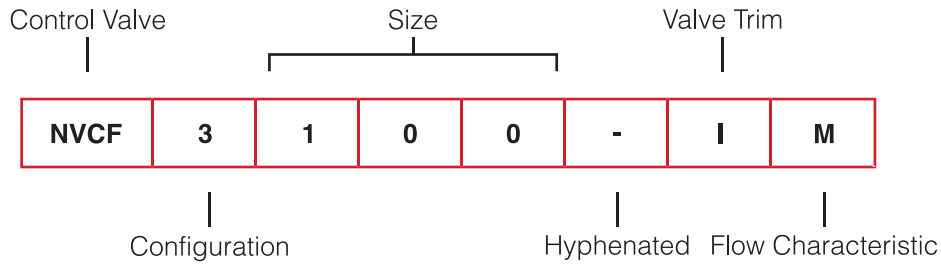
PRODUCT FEATURE

- Complete range from DN 65 to DN 150
- 2 Way and 3 Way Mixing or Diverting
- Cast Iron
- Low leakage factor of up to 0.05%
- High close-off pressure actuator satisfies demanding requirements of high-rise buildings and high pressure pumping systems
- PN 16 or 232 PSI system operation pressure
- Actuator can be factory or field installed
- Equal percentage flow characteristic

TECHNICAL SPECIFICATION

VALVE BODY PRESSURE RATING	232 psig (PN16 or 1,600 kPa) Meets Requirements of ANSI B16.15, Class 250, EN1561		
FLUID / AMBIENT TEMPERATURE LIMIT	2 to 120°C water at an Ambient temperature of 40°C		
SHIPPING & STORAGE TEMPERATURE LIMIT	-40 to 70°C (-40 to 158°F)		
BODY SIZE	See TABLE 1: VALVE CODE NUMBER DESIGNATION		
SERVICE	Chilled, Hot Water and Steam, up to 50% Glycol Solutions		
SEAT LEAKAGE	0.05%		
FACE TO FACE DIMENSION	Meet requirement of DIN EN 1092-2		
VALVE STROKE	DN 65 to DN 150		
BODY MATERIAL	Iron Trim	Body	Cast Iron
		Stem	Stainless Steel
		Seat	Stainless Steel
		Seal	PTFE

TABLE 1: VALVE CODE NUMBER DESIGNATION



VALVE BODY TYPE	VB = NVCF Series Flanged End
CONFIGURATION	2 = 2 - Way 3 = 3 - Way
VALVE SIZE	065 = DN65 080 = DN80 100 = DN 100 125 = DN 125 150 = DN 150
VALVE TRIM [IRON TRIM AVAILABLE FROM DN 65 TO DN100]	I = Iron Trim
FLOW CHARACTERISTIC (FOR 3-WAY VALVE ONLY)	M = Mixing (2 in, 1 out) D = Diverting (1 in, 2 out)

To Order

Specify the code number from the Valve Code Number Selection Guide.

Repair Parts

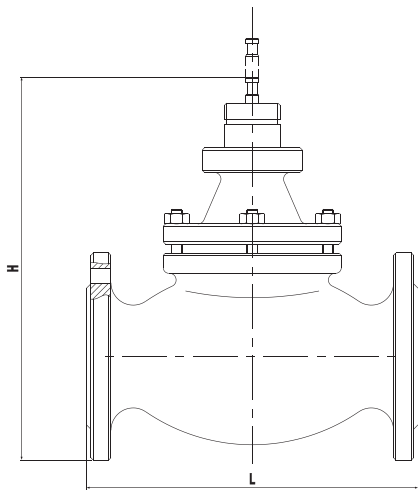
Available repair parts for NVCF Series Valves include replacement valve bodies and replacement actuators. No other field repairs should be attempted.

NVCF SERIES FLANGED END GLOBE VALVE

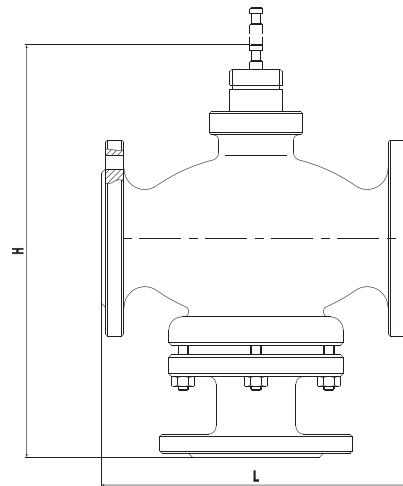
VALVE & VALVE ACTUATOR

TABLE 2: DIMENSION OF VALVE BODY (mm)

TRIM	DN (mm)	L	H	H1	H2	H3	D	D1	BOLT HOLE
2-Way	65	290	341	66	39	93	185	145	4 x Φ 18
	80	310	366	66	39	100	200	160	8 x Φ 18
	100	350	390	66	39	110	220	180	8 x Φ 18
	125	400	465	66	39	125	250	210	8 x Φ 18
	150	480	516	66	39	143	285	240	8 x Φ 22
3-Way	65	290	333	66	39	165	185	145	4 x Φ 18
	80	310	358	66	39	180	200	160	8 x Φ 18
	100	350	403	66	39	195	220	180	8 x Φ 18
	125	400	500	66	39	230	250	210	8 x Φ 18
	150	480	558	66	39	325	285	240	8 x Φ 22



2-Way Valve

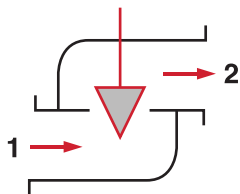


3-Way Valve

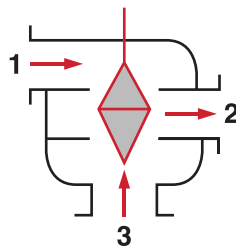
TABLE 3: FLOW RATE, KV FACTOR AND MAXIMUM CLOSE-OFF PRESSURE (KPA) FOR PDTC 2-WAY AND 3-WAY ELECTRICALLY ACTUATED VALVE

VALVE SIZE (mm)	DN65	DN80	DN100	DN125	DN150
FLOW RATE (KV)	63	100	160	250	400
VALVE STROKE (mm)	Max 39 mm				
STROKE TIME (sec)	90 - 180 seconds				
MAXIMUM SHUTOFF PRESSURE (KPA)					
MODEL	DN65	DN80	DN100	DN125	DN150
NAV... -- 18	340	150	90	-	-
NAV... -- 30	-	-	270	600	600

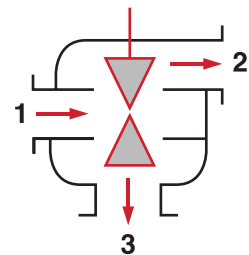
FLOW CHARACTERISTIC



2-Way Valve PTDC



3-Way Valve Mixing



3-Way Valve Diverting

APPLICATION OVERVIEW

The NVCF control Valve feature Iron Body are available in two-way configurations with Push-Down-to-Close (PDTC - normally open) with Flanged End. The Valve can be ordered with NENUTEC Valve Actuator NAV... and NTC controller for a complete HVAC solution.