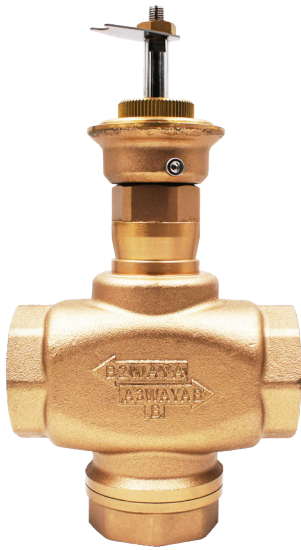


NVCS SERIES SCREWED END GLOBE VALVE

VALVE & VALVE ACTUATOR



NVCS SERIES

NVCS screwed end control valve is mainly use in the HVAC system to regulate the flow of water and steam in response to the demand of a controller.

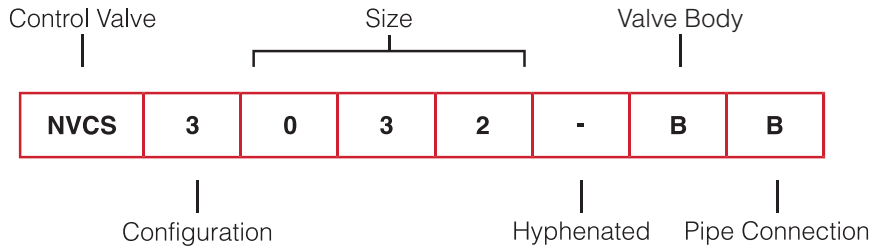
PRODUCT FEATURE

- Complete range from DN 15 to DN 50
- 2 Way and 3 Way Mixing or Diverting
- Forged brass body
- Low leakage factor of up to 0.05%
- High close-off pressure actuator satisfies demanding requirements of high-rise buildings and high pressure pumping systems
- PN 16 or 232 PSI system operating pressure
- Actuator can be factory or field installed
- Equal percentage flow characteristic

TECHNICAL SPECIFICATION

VALVE BODY PRESSURE RATING	232 psig (PN16 or 1,600 kPa) Meets requirements of ANSI B16.15, Class 250		
FLUID / AMBIENT TEMPERATURE LIMIT	2 to 120°C water at an Ambient temperature of 40°C 2 to 180°C water / steam at an Ambient temperature of 40°C (With Cooling Fin)		
SHIPPING & STORAGE TEMPERATURE LIMIT	-40 to 70°C (-40 to 158°F)		
BODY SIZE	See TABLE 1: VALVE CODE NUMBER DESIGNATION		
SERVICE	Chilled, Hot Water and Steam, up to 50% Glycol Solutions		
POWER SUPPLY	24AC or 230 VAC ±10%, 50Hz		
SEAT LEAKAGE	0.05%		
PIPE CONNECTION	BSP		
MAXIMUM CLOSE OFF PRESSURE	See TABLE 3: FLOW RATE, KV FACTOR AND MAXIMUM CLOSE-OFF PRESSURE (KPA) 2-WAY AND 3-WAY ELECTRICALLY ACTUATED VALVE		
BODY MATERIAL	Brass	Body	Forged Brass
		Stem	Stainless Steel
		Seat	Stainless Steel
		Seal	PTFE
VALVE STROKE	Brass	DN 15 to 50	Max 20 mm

TABLE 1: VALVE CODE NUMBER DESIGNATION



VALVE BODY TYPE	VB = NVCS Screwed Valve Body
CONFIGURATION	2 = 2 - Way 3 = 3 - Way
VALVE SIZE	015 = DN15 020 = DN20 025 = DN25 032 = DN32 040 = DN40 050 = DN50
VALVE BODY	B = Brass Body
PIPE CONNECTION	B = BSP N = NPT
FLOW CHARACTERISTIC (FOR 3-WAY VALVE ONLY)	M = Mixing (2 in, 1 out) D = Diverting (1 in, 2 out)

To Order

Specify the code number from the Valve Code Number Selection Guide.

Repair Parts

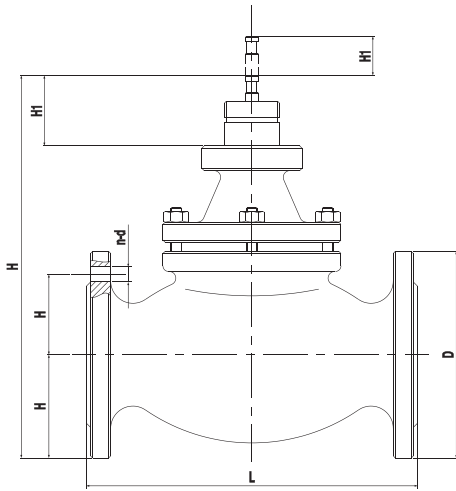
Available repair parts for NVCS Series Valves include replacement valve bodies and replacement actuators. No other field repairs should be attempted.

NVCS SERIES SCREWED END GLOBE VALVE

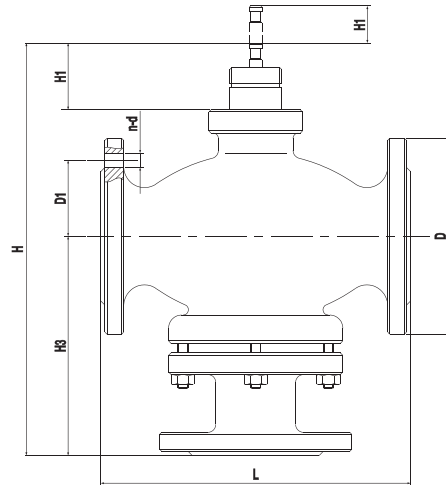
VALVE & VALVE ACTUATOR

TABLE 2: DIMENSION OF VALVE BODY (mm)

TRIM	DN (mm)	L	H	H1	H2	H3
Brass	20	80	170	21-31	15	40
	25	110	183	21-31	20	62
	32	120	186	21-31	20	62
	40	130	200	13-23	20	74
	50	145	211	13-23	20	77



**Brass Body
2 Way Valve**

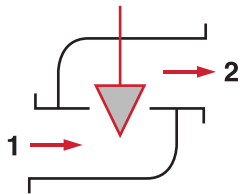


**Brass Body
3 Way Valve**

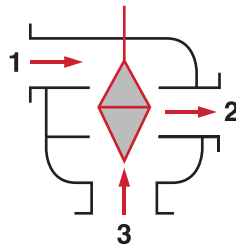
TABLE 3: FLOW RATE, KV FACTOR AND MAXIMUM CLOSE-OFF PRESSURE (KPA) 2-WAY AND 3-WAY ELECTRICALLY ACTUATED VALVE

VALVE SIZE (mm)	TRIM	DN15/DN20	DN25	DN32	DN40	DN50
FLOW RATE (KV)		6.3	10	16	25	40
VALVE STROKE (mm)	Brass	20				
STROKE TIME (sec)		90			110	
MAXIMUM SHUTOFF PRESSURE (KPA)						
MODEL	FORCE (N)	DN15/DN20	DN25	DN32	DN40	DN50
NAV... -- 10	1000	-	-	550	400	270

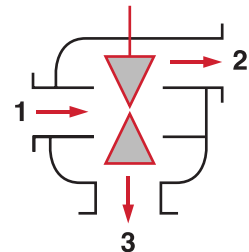
FLOW CHARACTERISTIC



2-Way Valve PTDC



3-Way Valve PTDC



3-Way Valve Diverting

APPLICATION OVERVIEW

The NVCS control valve feature Brass Body are available in 2-Way configurations with Push-Down-To-Close (PDTDC - Normally open) with threaded BSP. The valve can be ordered with NENUTEC Valve Actuator NAV... and NTC controller for a complete HVAC solutions.